

■ Specifications

Model	KWS5412BP12	
Weighing range	12 to 3000 g	
Scale interval	0.1 g	
Maximum speed ¹	320 products/min	
Maximum accuracy(3 σ) ¹	+/- 0.2 g	
Display	8.5-inch color TFT LCD	
Operation method	Touch panel (Start, Stop, and Home are direct push buttons)	
Indication range	3009 g	
Preset memory	Maximum 200	
Classification	2 or 3	
Product size ²	Width W	20 to 250 mm
	Length L	60 to 310 mm
	Height H	5 to 310 mm
Belt speed	15 to 120 m/min	
Power requirements	100 to 120 Vac +10% -15% or 200 to 240 Vac +10% -15%, single phase, 50/60 Hz, 300 VA, rush current 30 A (typ.) (20 ms or less)	
Mass	63 kg	
Environmental conditions	0° to 40° C (variation not to exceed 5° C/h to maintain accuracy), relative humidity 30% to 85% non-condensing	
Protection class	IP30 compliance	
Exterior	Stainless steel (SUS304) (excluding some parts)	
Data output	USB port (USB2.0), Ethernet interface (10BASE-T, 100BASE-TX)	

1: The speed and accuracy vary according to the products to be weighed and the rejector.

2: The size of products to be weighed depends on the rejector; select a checkweigher together with a rejector. Consult us about semi-transparent and transparent products.

Note: The noise level of the checkweighers does not exceed 70 dB (A).

Model Selection List

The SSV series is available in a variety of models to suit a wide range of products. For details of detection areas, please submit an online inquiry for m.

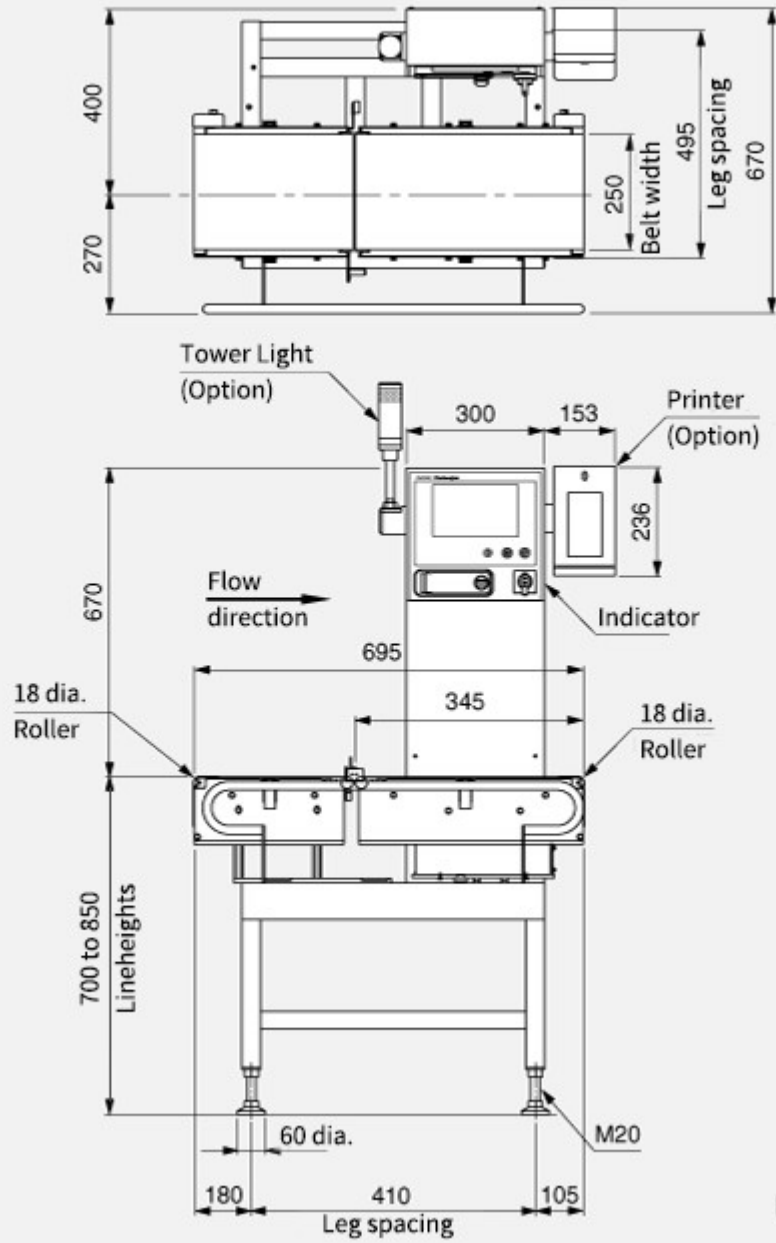
(Versatile model) SSV-f series

Model	Weighing range (g)	Maximum accuracy(g)	Maximum speed (products/min)	Belt speed (m/min)	Product size		
					Width (mm)	Length (mm)	Height (mm)
KWS5201B△04	6 to 600	+/- 0.2	400	15 to 99	20 to 100	46 to 120	5 to 120
KWS5203B△03	6 to 600	+/- 0.2	350	15 to 103	20 to 160	46 to 230	5 to 230
KWS5205B△05	6 to 600	+/- 0.2	320	15 to 103	20 to 160	46 to 230	5 to 230
KWS5206B△06	6 to 600	+/- 0.2	320	15 to 120	20 to 160	46 to 310	5 to 310
KWS5411B△11	12 to 3000	+/- 0.2	320	15 to 94	20 to 250	60 to 230	5 to 230
KWS5412B△12	12 to 3000	+/- 0.2	320	15 to 120	20 to 250	60 to 310	5 to 310
KWS5414B△12	12 to 3000	+/- 0.2	220	15 to 120	20 to 250	60 to 450	5 to 450
KWS5416B△16	12 to 3000	+/- 0.5	270	15 to 120	20 to 350	60 to 350	5 to 350
KWS5417B△17	12 to 3000	+/- 0.5	220	15 to 120	20 to 350	60 to 450	5 to 450
KWS5522B△22	60 to 6000	+/- 1.5	180	5 to 75	20 to 450	88 to 350	5 to 350
KWS5524B△24	60 to 6000	+/- 1.5	145	5 to 78	20 to 450	88 to 450	5 to 450
KWS5526B△24	60 to 6000	+/- 1.5	110	5 to 78	20 to 450	88 to 600	5 to 600
KWS5623B△23	60 to 15000	+/- 2	100	5 to 46	20 to 450	88 to 350	5 to 350
KWS5625B△25	60 to 15000	+/- 2	85	5 to 46	20 to 450	88 to 450	5 to 450
KWS5627B△25	60 to 15000	+/- 2	65	5 to 46	20 to 450	88 to 600	5 to 600
KWS5728B△NN	60 to 25000	+/- 2	40	5 to 29	20 to 450	88 to 600	5 to 600

The speed and accuracy vary according to the products to be weighed and the rejector.

△: The alphabet letter indicating the exterior type.

KWS5412BF12



Units : mm